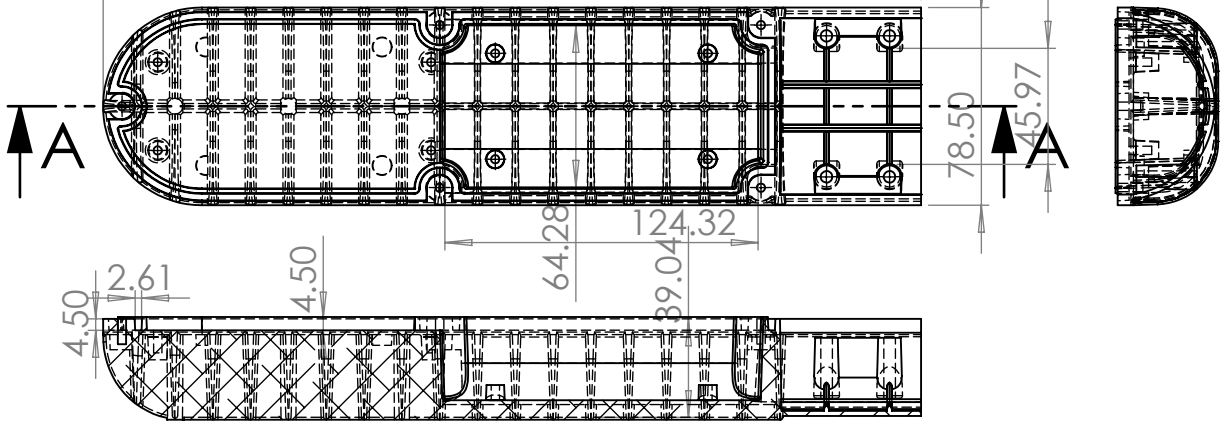


4 3 2 1

F

F

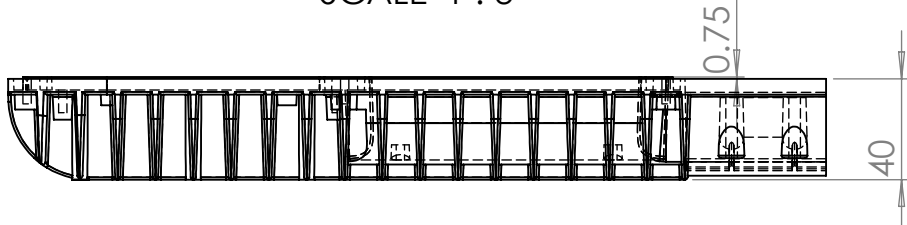


SECTION A-A

SCALE 1 : 3

E

E

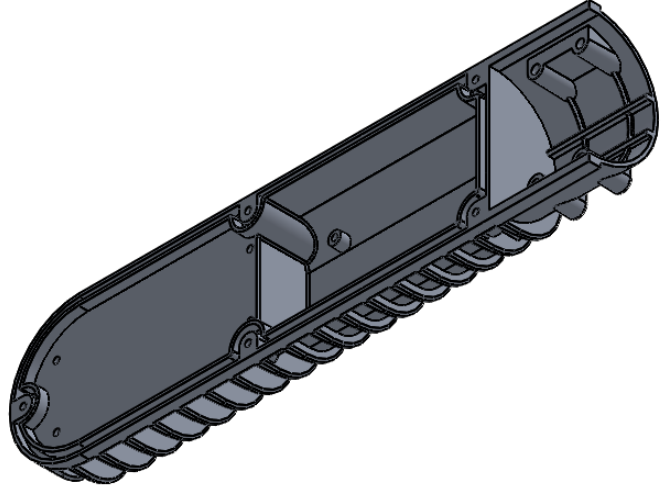


D

D

C

C



B

B

UNLESS OTHERWISE SPECIFIED:
DIMENSIONS ARE IN MILLIMETERS
SURFACE FINISH:
TOLERANCES:
LINEAR:
ANGULAR:

FINISH:

DEBURR AND
BREAK SHARP
EDGES

DO NOT SCALE DRAWING

REVISION

	NAME	SIGNATURE	DATE	
DRAWN				
CHK'D				
APPV'D				
MFG				
Q.A				

TITLE:	Sleek Street Light	A4
DWG NO.		
MATERIAL:	SCALE: 1:5	SHEET 1 OF 1
WEIGHT:		

A

A

4

3

2

1