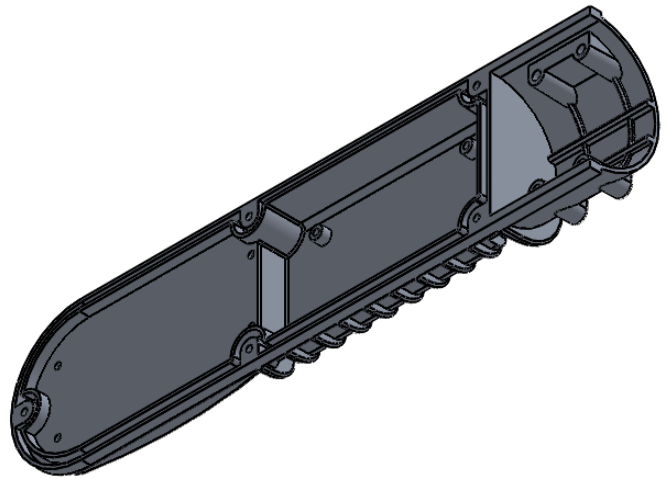
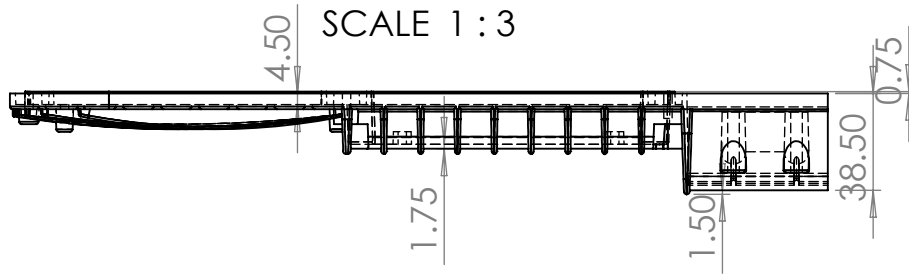


SECTION G-G

SCALE 1 : 3



UNLESS OTHERWISE SPECIFIED:  
DIMENSIONS ARE IN MILLIMETERS  
SURFACE FINISH:  
TOLERANCES:  
LINEAR:  
ANGULAR:

FINISH:

DEBURR AND  
BREAK SHARP  
EDGES

DO NOT SCALE DRAWING

REVISION

|        | NAME | SIGNATURE | DATE |           |
|--------|------|-----------|------|-----------|
| DRAWN  |      |           |      |           |
| CHK'D  |      |           |      |           |
| APPV'D |      |           |      |           |
| MFG    |      |           |      |           |
| Q.A    |      |           |      |           |
|        |      |           |      | MATERIAL: |
|        |      |           |      | WEIGHT:   |

TITLE:

DWG NO.

15-20W Sleek Street Light

A4

SCALE:1:5

SHEET 1 OF 1