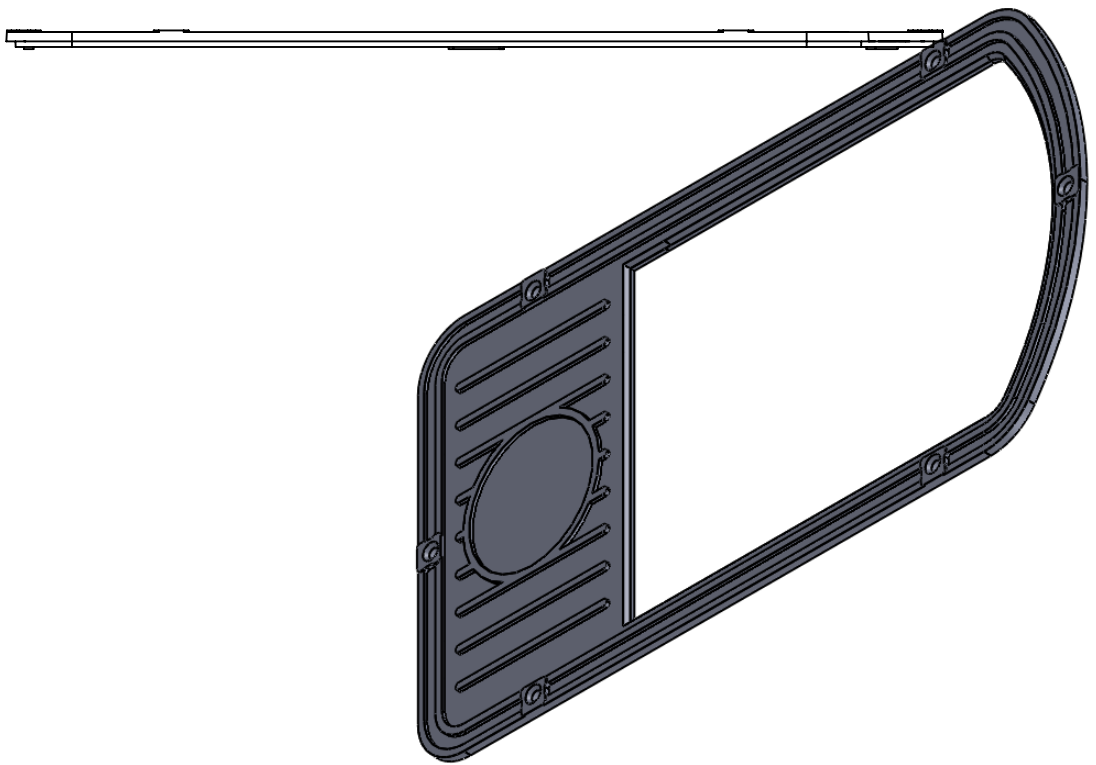


**SECTION A-A**  
SCALE 1 : 3

**SECTION B-B**  
SCALE 1 : 3



UNLESS OTHERWISE SPECIFIED:  
DIMENSIONS ARE IN MILLIMETERS  
SURFACE FINISH:  
TOLERANCES:  
LINEAR:  
ANGULAR:

FINISH:

DEBURR AND  
BREAK SHARP  
EDGES

DO NOT SCALE DRAWING

REVISION

NAME	SIGNATURE	DATE
DRAWN		
CHK'D		
APPV'D		
MFG		
Q.A		

TITLE:	street light cover
DWG NO.	
MATERIAL:	A4
WEIGHT:	SCALE:1:5
	SHEET 1 OF 1